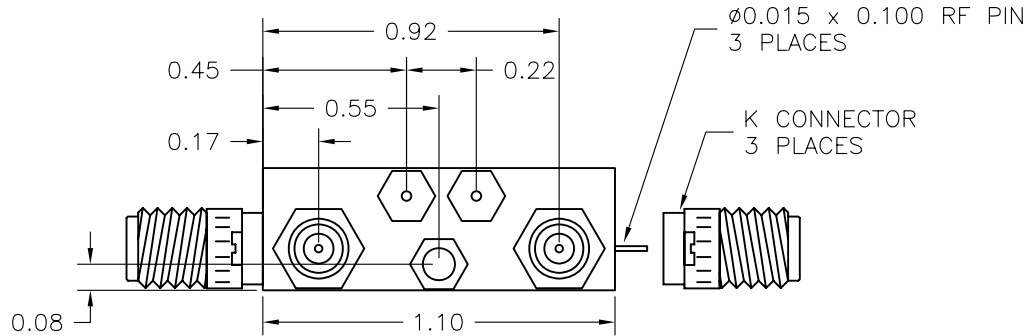


DESCRIPTION

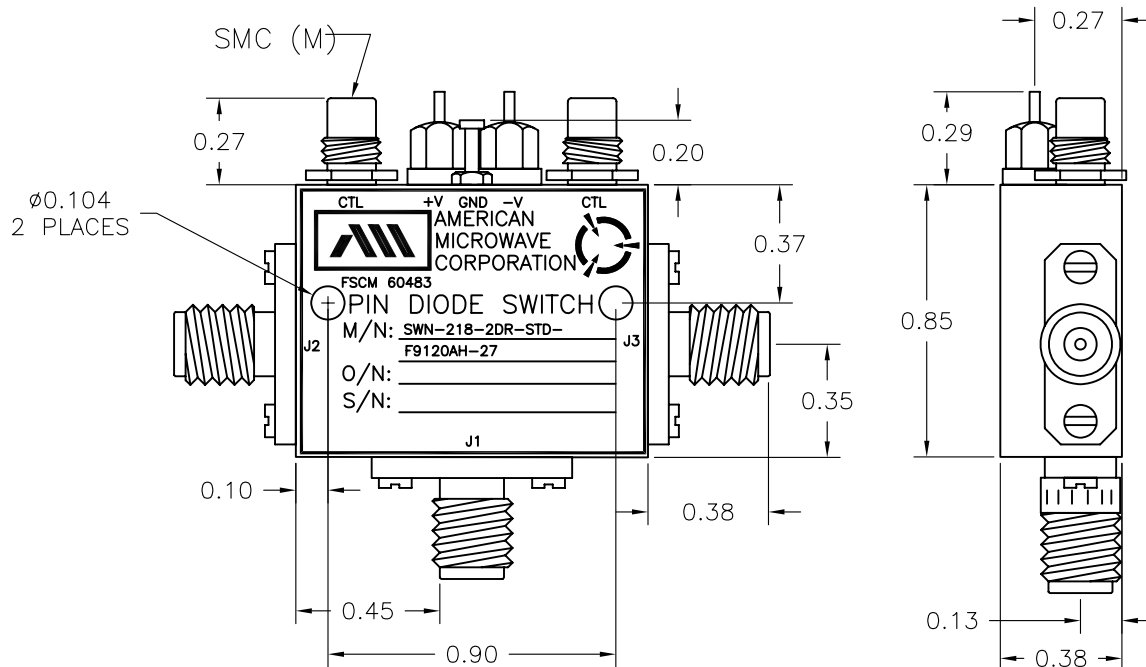
AMC MODEL SWN-218-2DR-STANDARD-F9120AH-27 OPTIONS: 37F, HS15NS, HPR2WP, K, IS A REFLECTIVE SINGLE POLE TWO THROW PIN DIODE SWITCH. IT HAS VERY LOW INSERTION LOSS, HIGH ISOLATION, INTEGRAL TTL DRIVER AND HIGH SPEED WITHIN A 1.10" x 0.85" x 0.38 PACKAGE.

REVISIONS				
ZONE	REV.	DESCRIPTION	DATE	APPROVED
	-	ORIGINAL RELEASE JOB# 607135PE	10/04/06	



M/N: = MODEL NUMBER
 O/N: = OPTION NUMBER
 S/N: = SERIAL NUMBER
 P/N: = PART NUMBER

MECHANICAL OUTLINE



ALL DIMENSIONS ARE IN INCHES
 TOLERANCES:
 X.XX ±0.020
 X.XXX ±0.010

AMERICAN MICROWAVE CORPORATION

7311-G GROVE ROAD
 FREDERICK, MARYLAND 21704 USA
 TEL: 301-662-4700 FAX: 301-662-4938
 WEBSITE: www.americanmicrowavecorp.com
 E-MAIL: sales@americanmicrowavecorp.com
 ISO 9001:2000 CERTIFIED



APPROVALS		DATE	TITLE		
DRAWN <i>PRB</i>		10/04/06	MECHANICAL OUTLINE		
CHECKED <i>RA</i>		10/11/06	SWN-218-2DR-STANDARD-F9120AH-27		
ISSUED			OPTIONS: 37F, HS15NS, HPR2WP, K		
SIZE	FSCM NO.	DWG NO.	REV.		
A	60483	100-7151-001	-		
SCALE N:S		SHEET		2 OF 4	

DESCRIPTION

AMC MODEL SWN-218-2DR-STANDARD-F9120AH-27 OPTIONS: 37F, HS15NS, HPR2WP, K, IS A REFLECTIVE SINGLE POLE TWO THROW PIN DIODE SWITCH. IT HAS VERY LOW INSERTION LOSS, HIGH ISOLATION, INTEGRAL TTL DRIVER AND HIGH SPEED WITHIN A 1.10" x 0.85" x 0.38 PACKAGE.

SPECIFICATIONS

- FREQUENCY RANGE: 36.7 TO 37 GHz
 - INSERTION LOSS: 4.5 dB MAXIMUM
 - ISOLATION: 50 dB MAXIMUM
 - VSWR: 36.7 TO 37 GHz: 2.0:1 MAXIMUM
 - RISE TIME: 15 nSec MAXIMUM
 - FALL TIME: 15 nSec MAXIMUM
 - DELAY ON: 20 nSec MAXIMUM
 - DELAY OFF: 20 nSec MAXIMUM
 - POWER HANDLING: 2 WATT CW OR PEAK
-
- CONTROL: LOGIC "0" = ON, "1" = OFF
 - POWER SUPPLY: +5V @ 60 mA MAXIMUM
..... -5V @ 50 mA MAXIMUM
 - SIZE: 1.10" (L) x 0.85" (W) x 0.38" (H)
 - WEIGHT: 0.75 oz.

OPTIONS:

- 37F: 36.7 TO 37 GHz FREQUENCY RANGE
- HS15NS: HIGH SPEED 15nSEC
- HPR2WP: HIGH POWER 2 WATTS
- K: K RF CONNECTOR

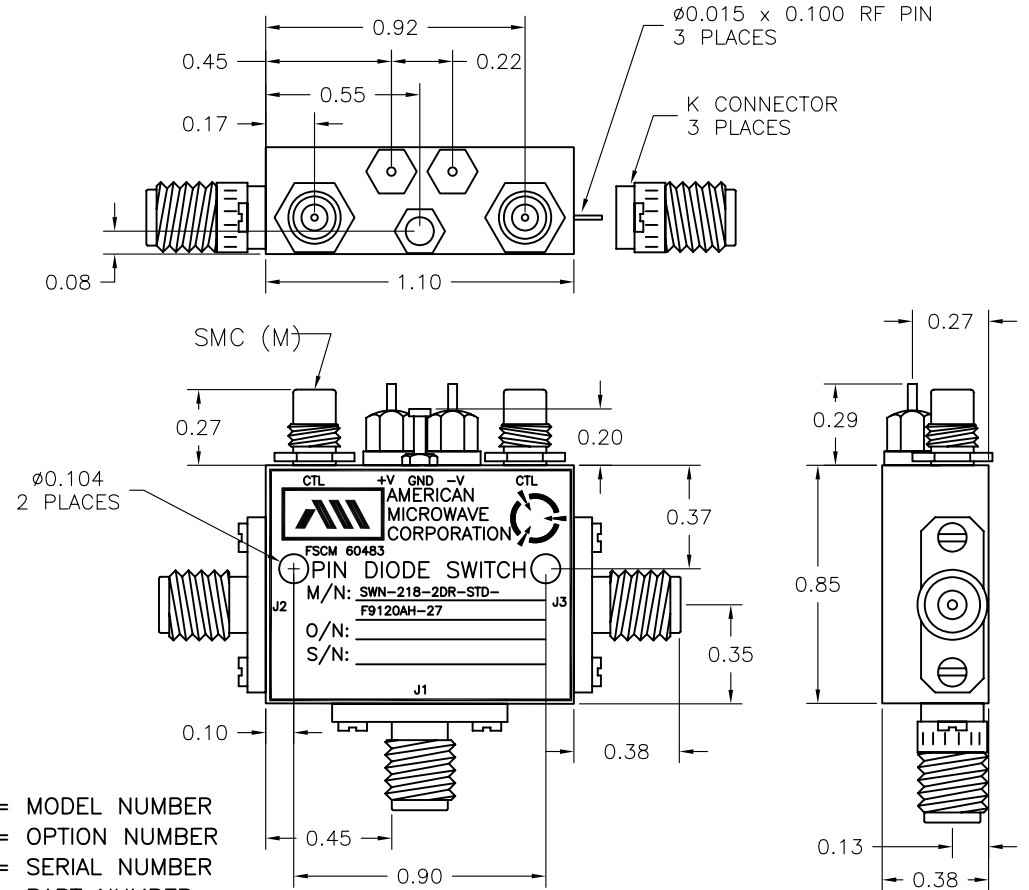
ENVIRONMENTAL RATINGS:

- TEMPERATURE: -55°C TO +85°C (OPERATING)
..... -65°C TO +125°C (STORAGE)
- HUMIDITY: MIL-STD-202F, METHOD 103B COND. B
- SHOCK: MIL-STD-202F, METHOD 213B COND. B
- VIBRATION: MIL-STD-202F, METHOD 204D COND. B
- ALTITUDE: MIL-STD-202F, METHOD 105C COND. B
- TEMPERATURE CYCLE: MIL-STD-202F, METHOD 107D COND. A

NOTE: SPECIFICATIONS WILL VARY OVER OPERATING TEMPERATURE
NOTE: THE ABOVE SPECIFICATIONS ARE SUBJECT TO CHANGE OR REVISION

ALL DIMENSIONS ARE IN INCHES
TOLERANCES:
X.XX ±0.020
X.XXX ±0.010

REVISIONS				
ZONE	REV.	DESCRIPTION	DATE	APPROVED
	-	ORIGINAL RELEASE JOB# 607135PE	10/04/06	



AMERICAN MICROWAVE CORPORATION

7311-G GROVE ROAD
FREDERICK, MARYLAND 21704 USA
TEL: 301-662-4700 FAX: 301-662-4938
WEBSITE: www.americanmicrowavecorp.com
E-MAIL: sales@americanmicrowavecorp.com
ISO 9001:2000 CERTIFIED



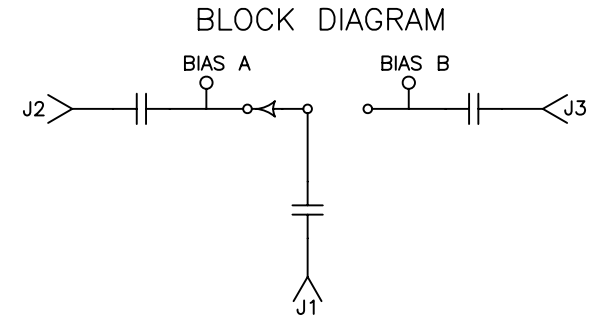
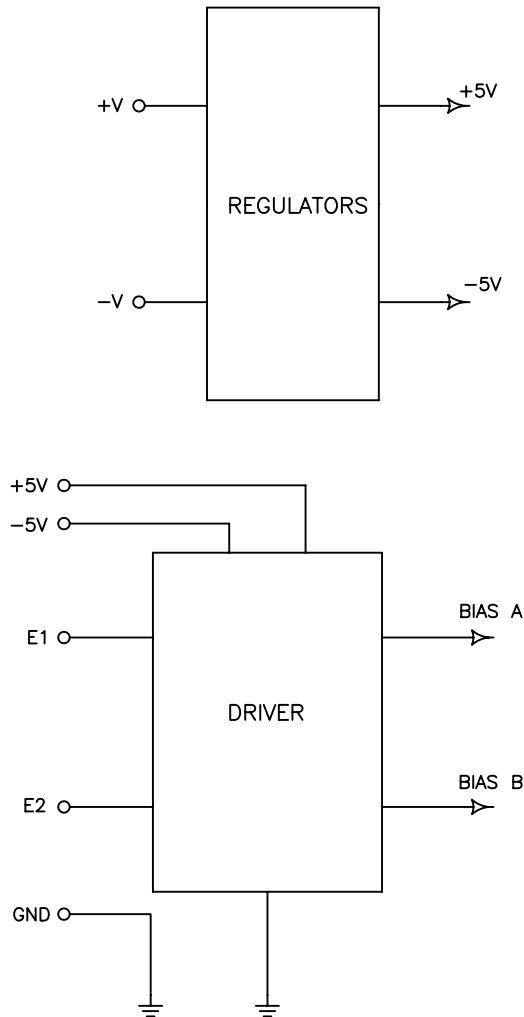
APPROVALS		DATE	TITLE		
DRAWN <i>PRB</i>		10/04/06	PRODUCT FEATURE		
CHECKED <i>RA</i>		10/11/06	SWN-218-2DR-STANDARD-F9120AH-27		
ISSUED			OPTIONS: 37F, HS15NS, HPR2WP, K 2-18 GHz, SINGLE POLE TWO THROW SWITCH		
SCALE	N:S		SIZE	FSCM NO.	DWG NO.
			A	60483	100-7151-001
					REV.
					-
				SHEET	1 OF 4

DESCRIPTION

AMC MODEL SWN-218-2DR-STANDARD-F9120AH-27 OPTIONS: 37F, HS15NS, HPR2WP, K, IS A REFLECTIVE SINGLE POLE TWO THROW PIN DIODE SWITCH. IT HAS VERY LOW INSERTION LOSS, HIGH ISOLATION, INTEGRAL TTL DRIVER AND HIGH SPEED WITHIN A 1.10" x 0.85" x 0.38 PACKAGE.

REVISIONS				
ZONE	REV.	DESCRIPTION	DATE	APPROVED
	-	ORIGINAL RELEASE JOB# 607135PE	10/04/06	

FUNCTIONAL BLOCK DIAGRAM



AMERICAN MICROWAVE CORPORATION

7311-G GROVE ROAD
 FREDERICK, MARYLAND 21704 USA
 TEL: 301-662-4700 FAX: 301-662-4938
 WEBSITE: www.americanmicrowavecorp.com
 E-MAIL: sales@americanmicrowavecorp.com
 ISO 9001:2000 CERTIFIED



APPROVALS		DATE	TITLE			
DRAWN <i>PRB</i>		10/04/06	FUNCTIONAL BLOCK DIAGRAM			
CHECKED <i>RA</i>		10/11/06	SWN-218-2DR-STANDARD-F9120AH-27			
ISSUED			OPTIONS: 37F, HS15NS, HPR2WP, K			
SIZE	FSCM NO.	DWG NO.	REV.			
A	60483	100-7151-001	-			
SCALE N:S			SHEET 3 OF 4			